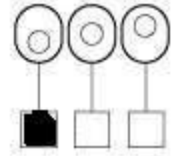
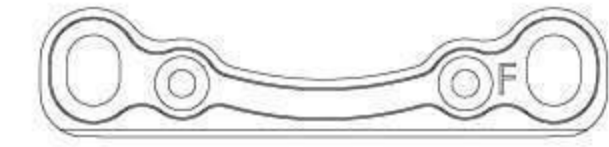
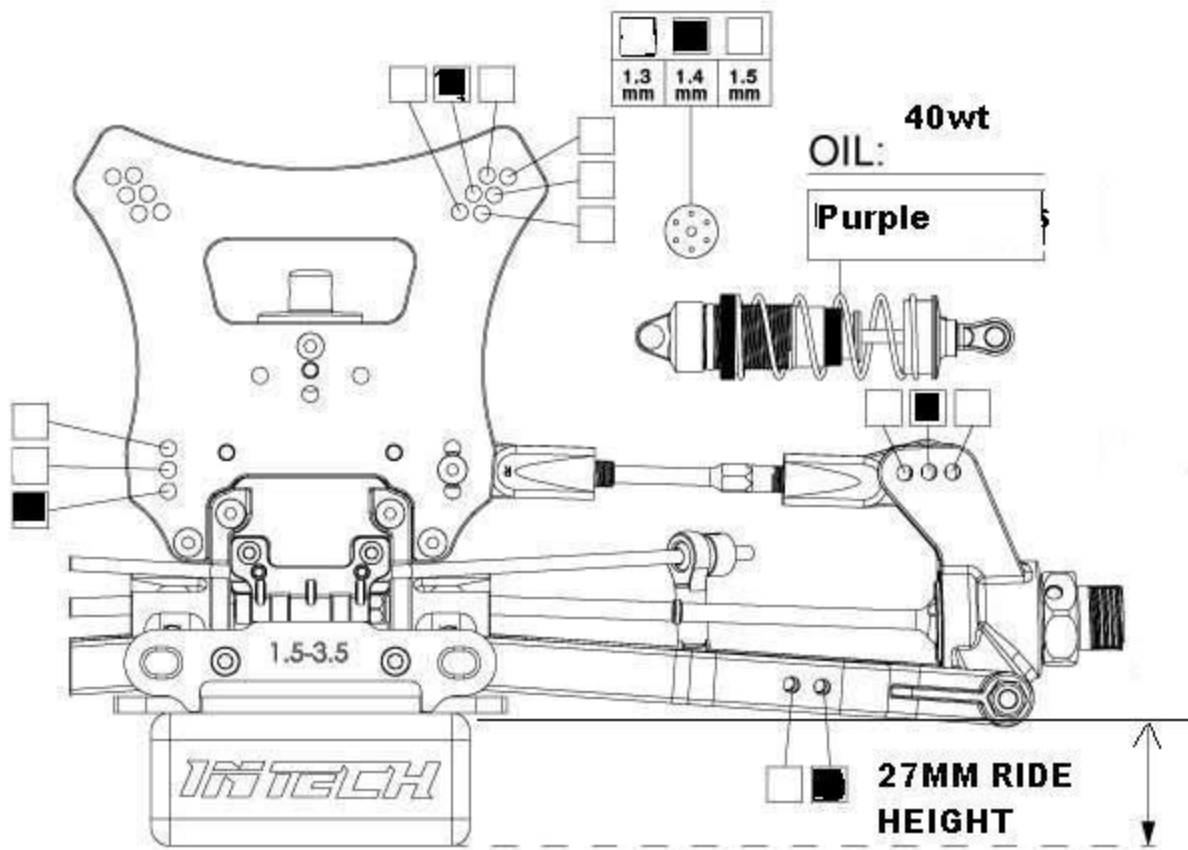
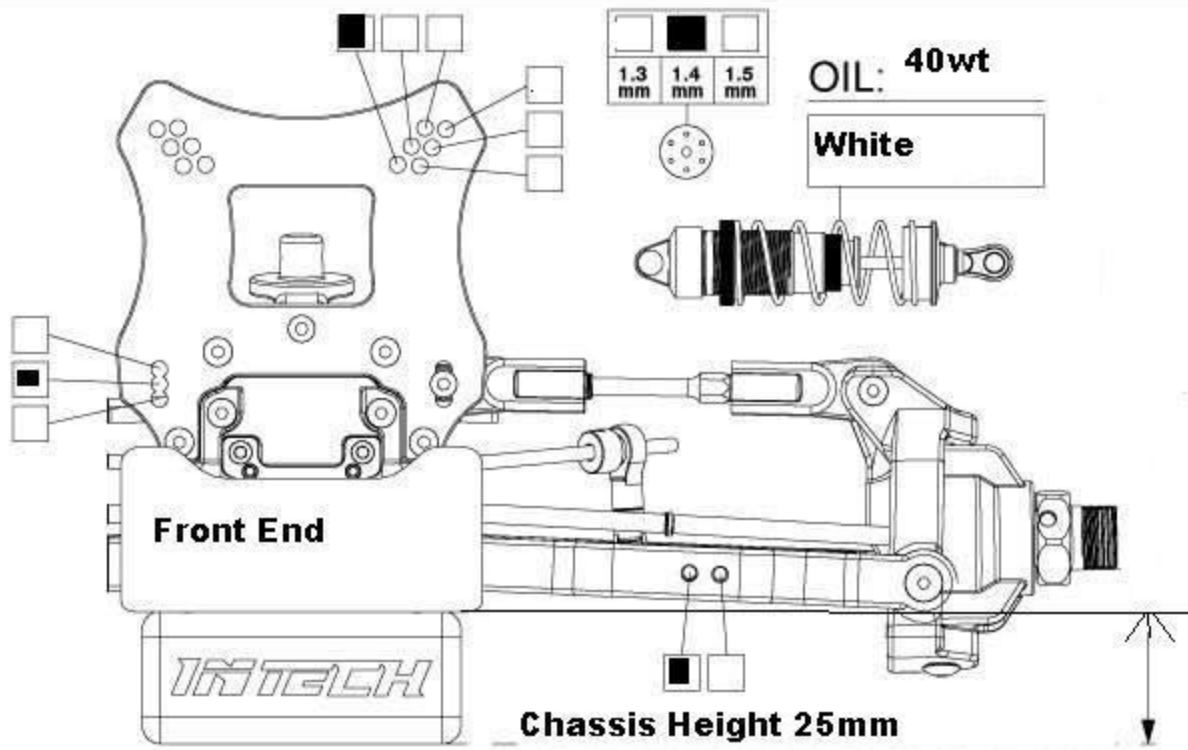


Name: Nathan Powney

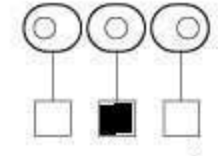
Date: 20/10/11

Race Track: Notts & Derby Track

Track Surface - Full Astroturf - Very Wet & Greasy



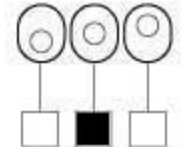
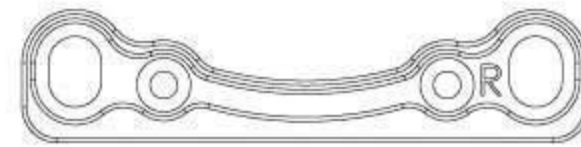
0.5 INSERT



1

set the table angle

Insert	-1	-0.75	-0.5	-0.25	0	0.25	0.5	0.75	1
Angle	0	0.25	0.5	0.75	1	1.25	1.5	1.75	2

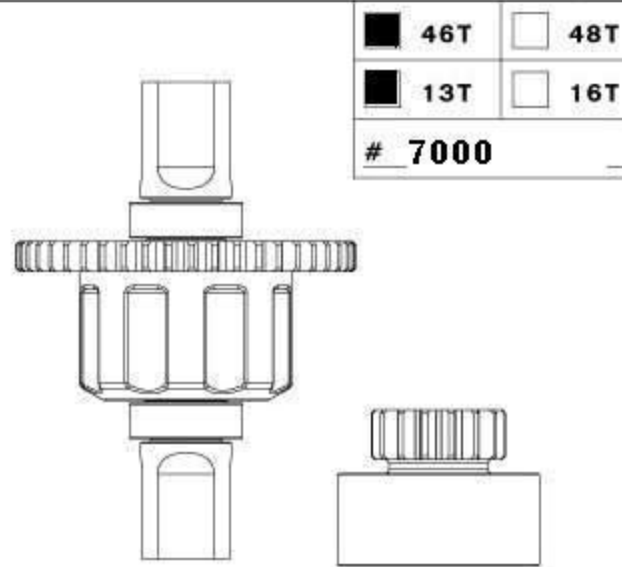
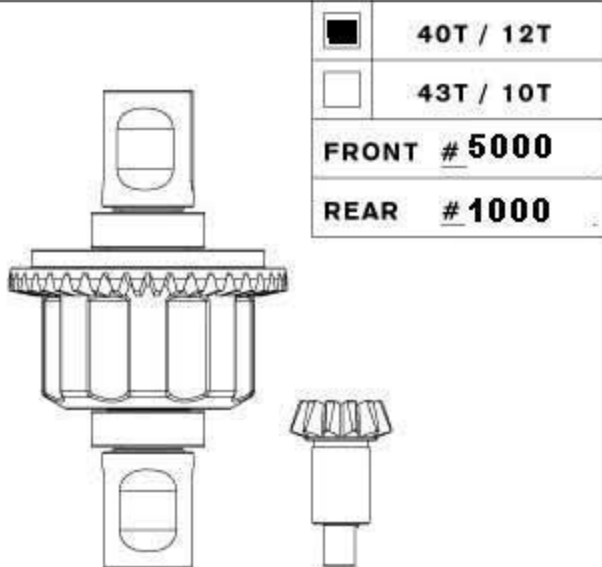


3

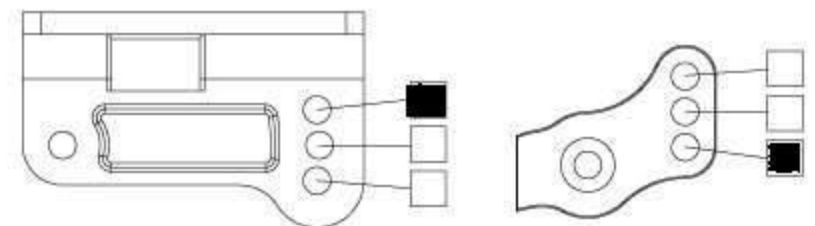
set the table angle

Insert	-1	-0.75	-0.5	-0.25	0	0.25	0.5	0.75	1
Angle	1.5	1.75	2	2.25	2.5	2.75	3	3.25	3.5

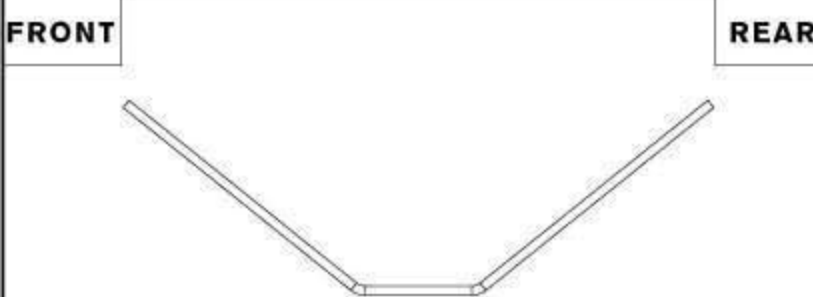
CAR FULL LENGTH ON WHEELBASE & TRIMMED ARMS FOR EXTRA 2MM LENGTH



**Notes:-**  
 Running 5mm Longer Chassis & Battery Mounted at front next too servo  
 • Droop at Full Length

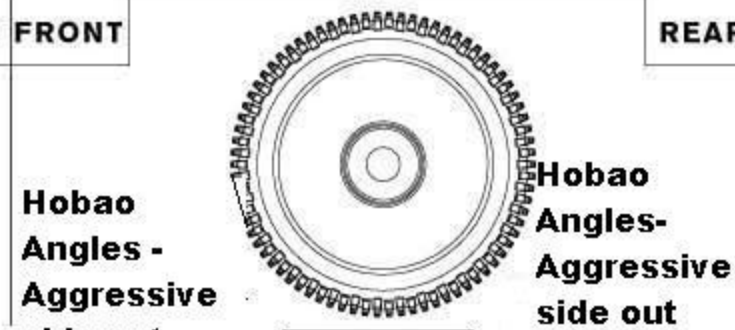


### ANTI ROLL BAR



2.6 THICKNESS 2.4  
 Ends Flush 3mm In from Ends

### TIRES



hobao  
 Intech

### ENGINE

TYPE	Werks B6 pro
MANIFOLD	Reedy
MUFFLER	Reedy
PLUG	RB No 5
FUEL	Werks 25%

### BODY

TYPE STOCK